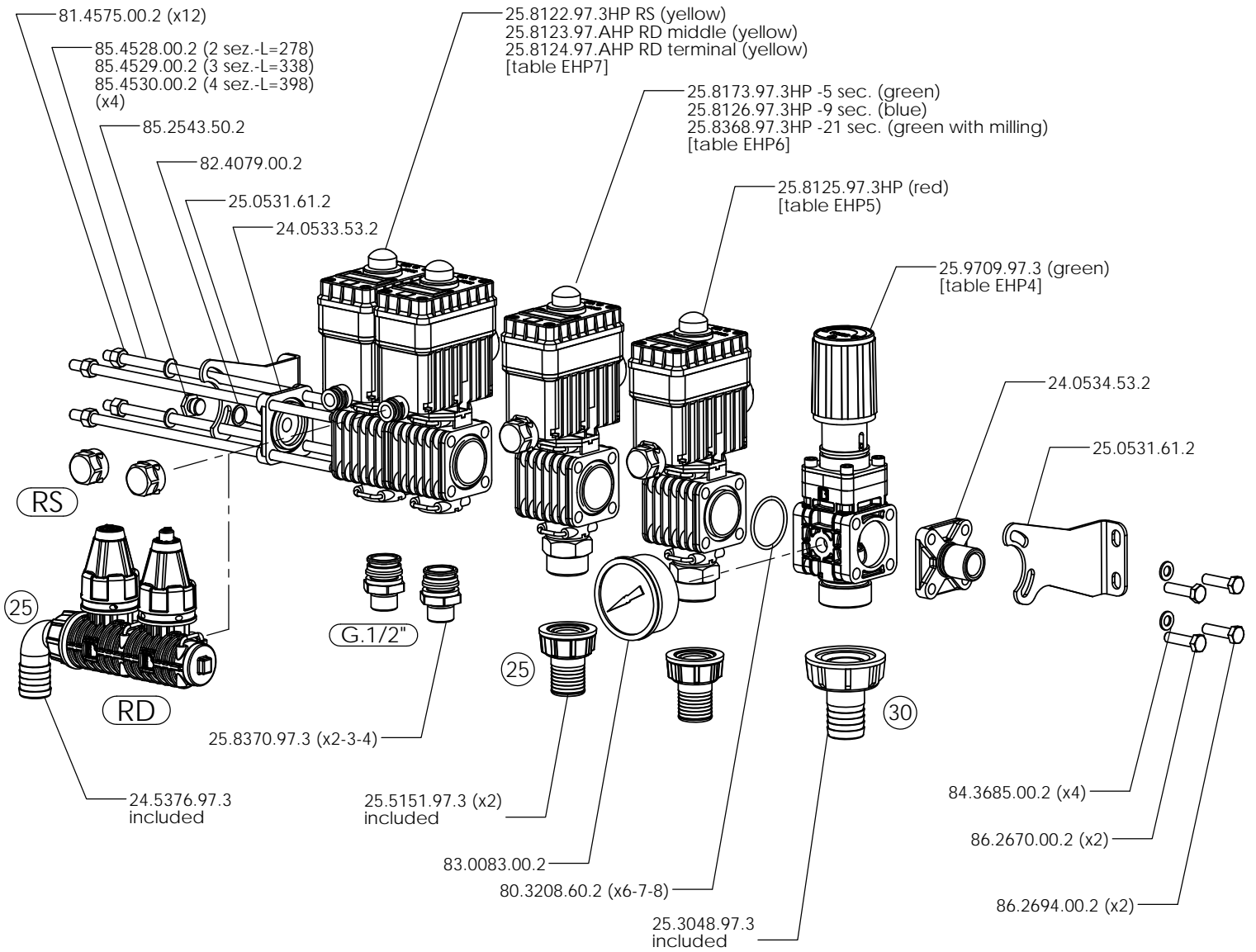


ECOCONTROL HP (40 BAR)

Table: **EHP1**

Motorized units high pressure (RS/RD)

Use: /

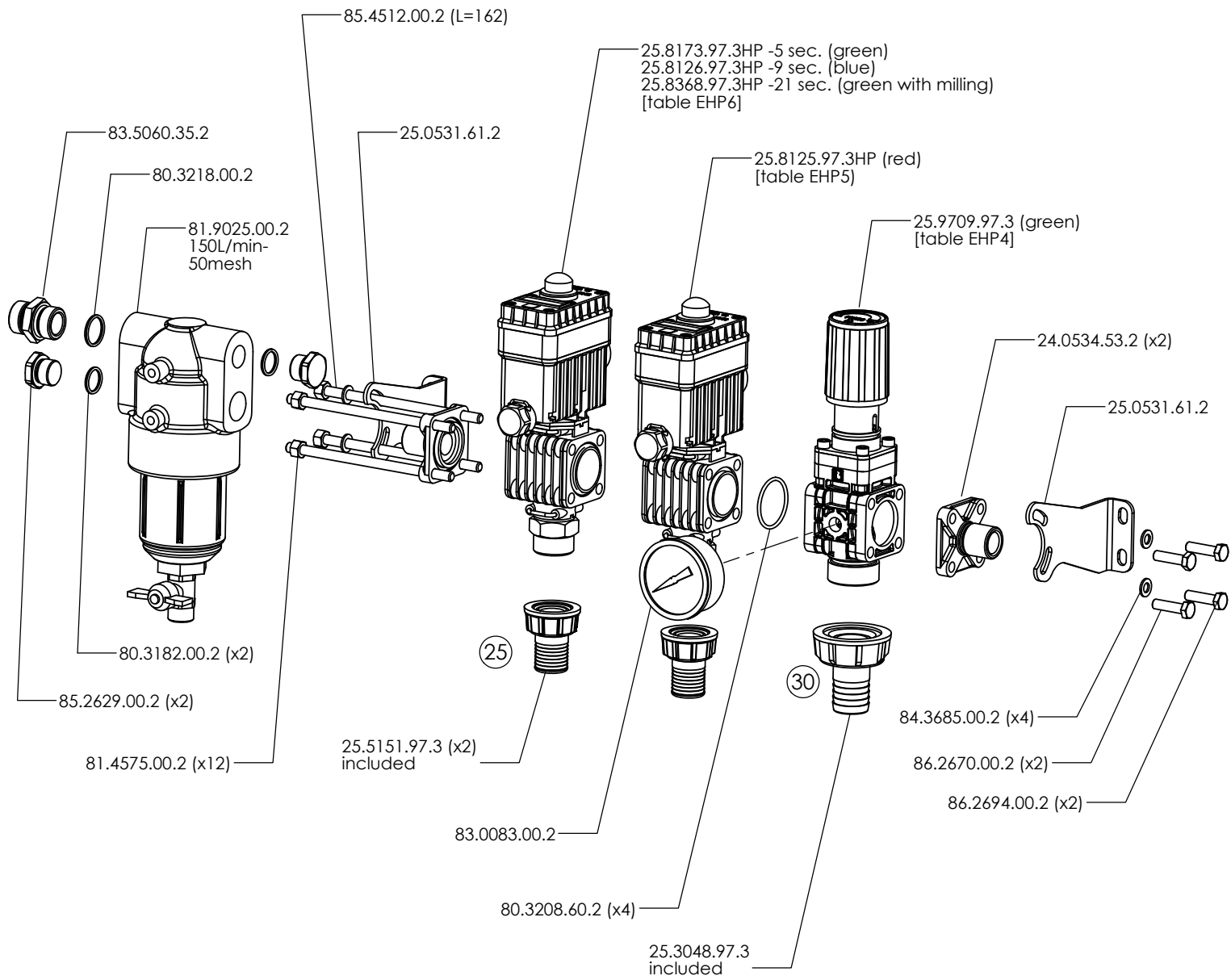


ECOCOTNROL HP (40 BAR)

Table: **EHP2**

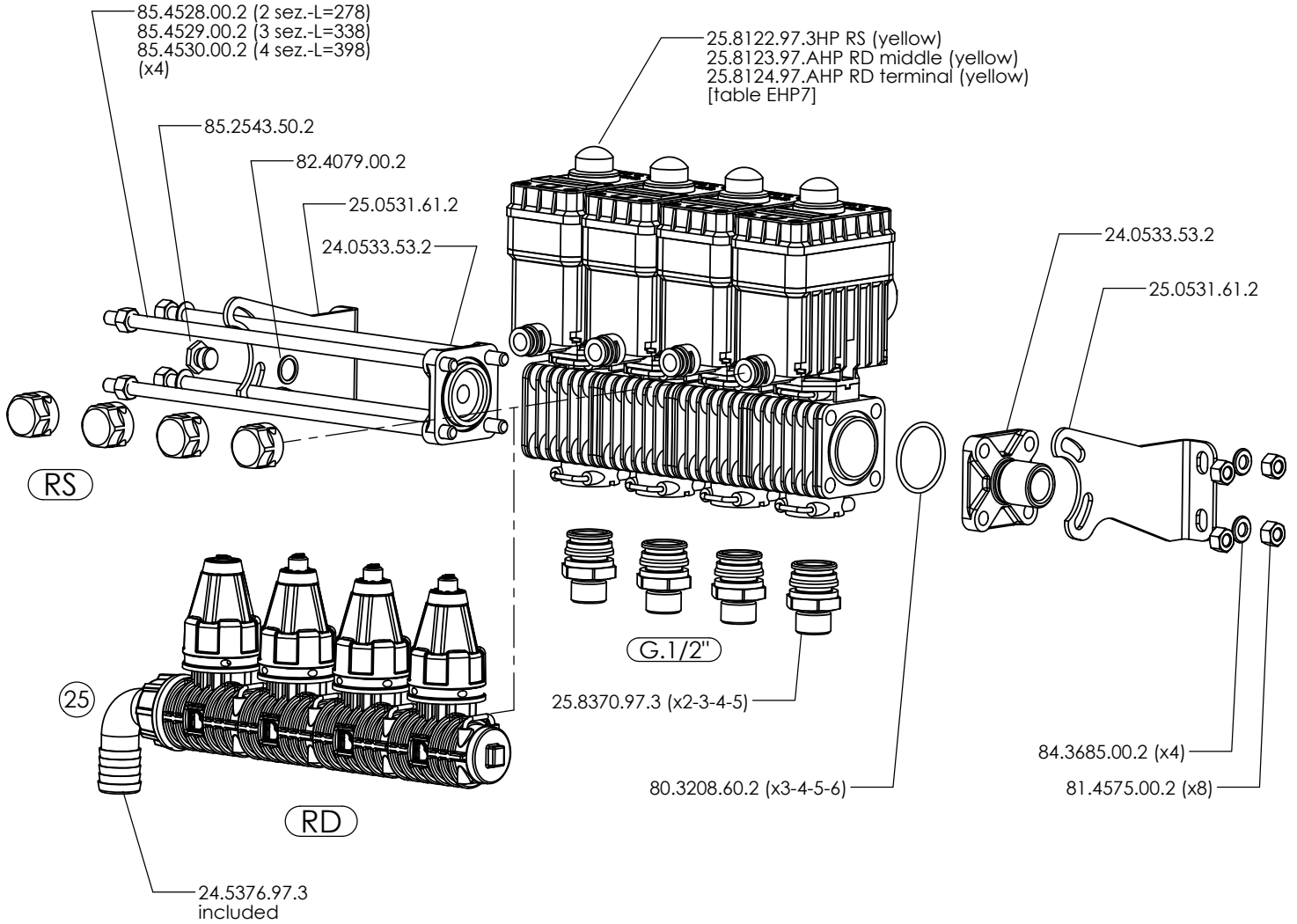
Motor -powered regulating units

Use: /



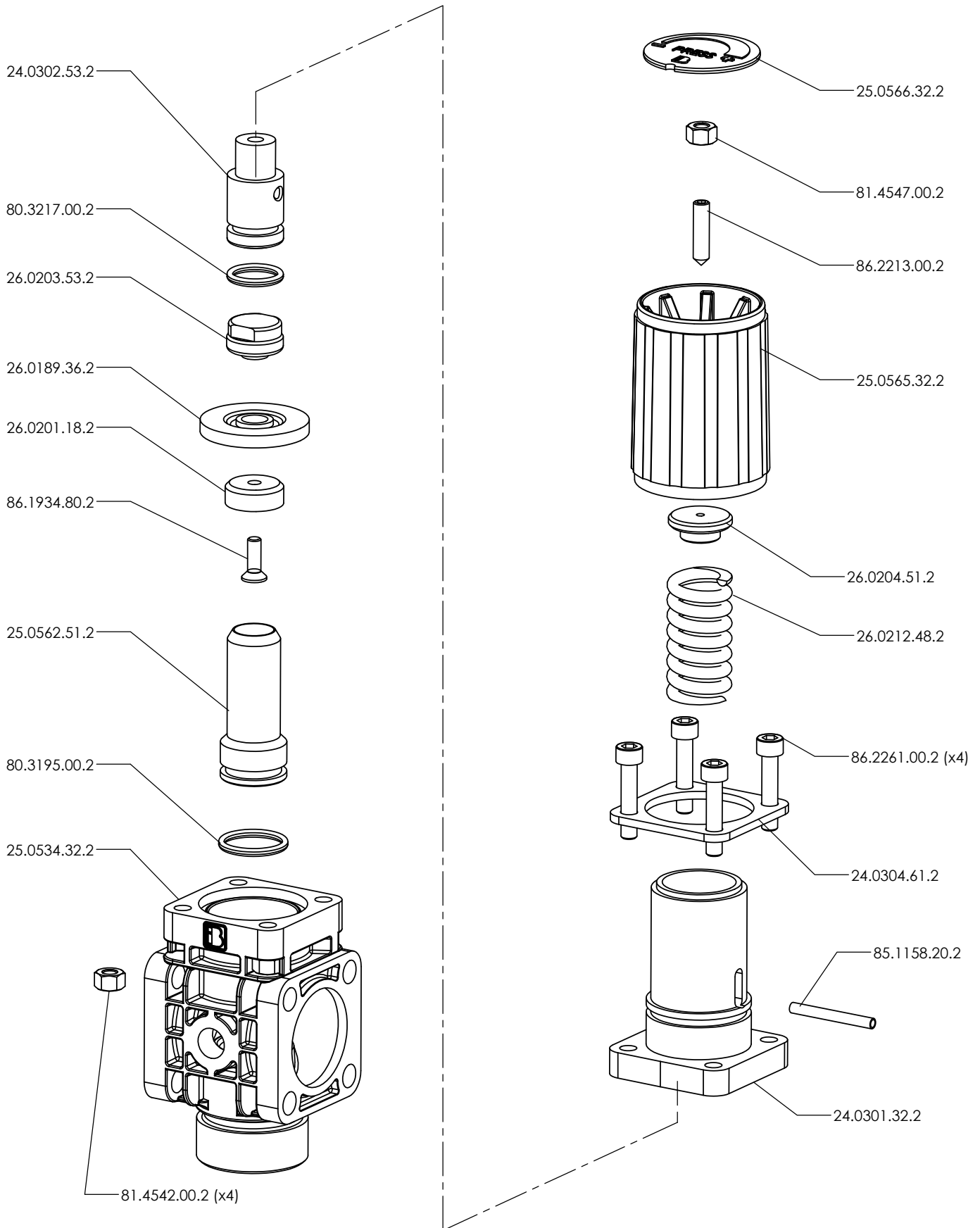
Motor powered section valves assemblies (RS/RD)

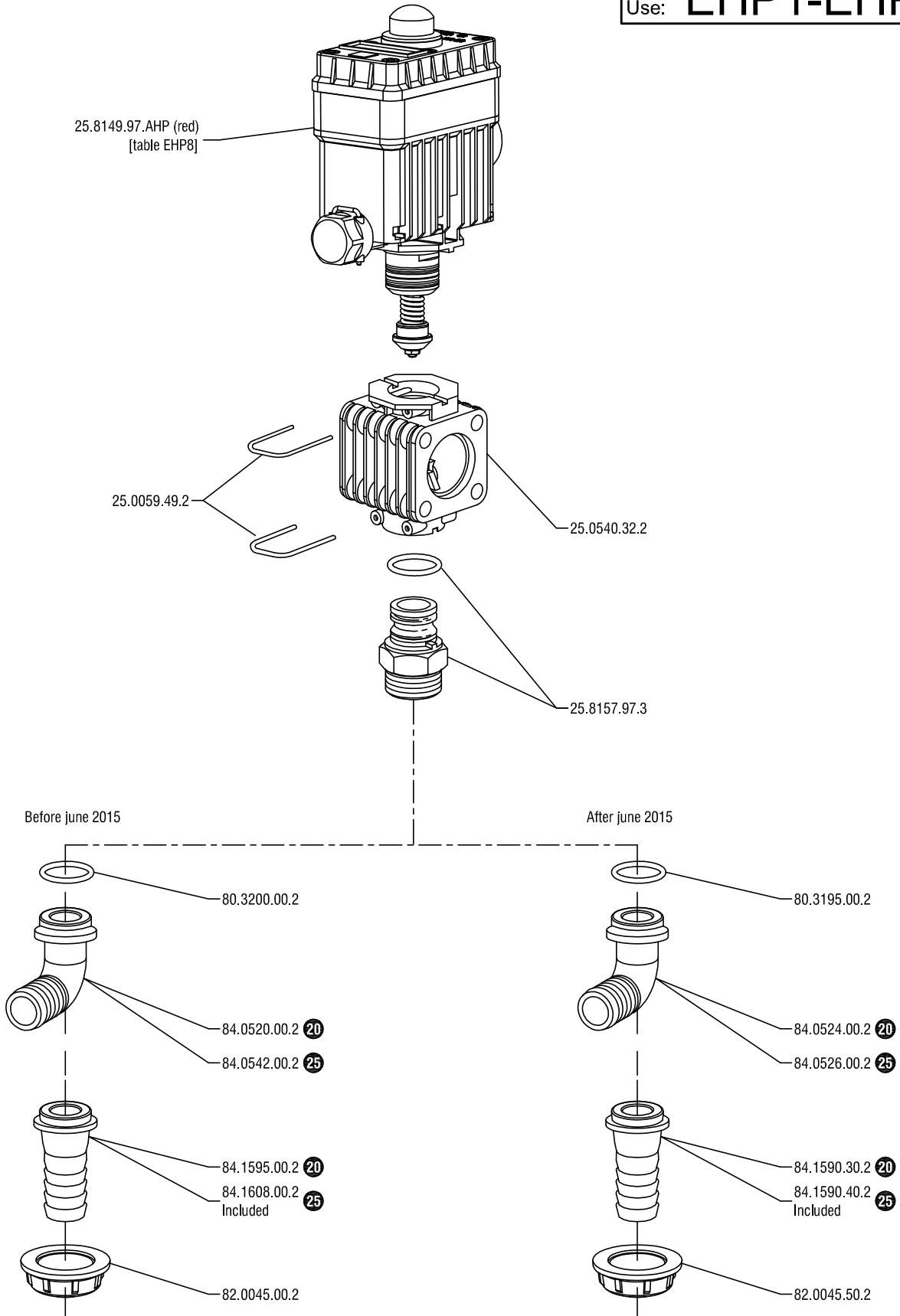
Use: /



Pressure relief valve high pressure

Use: **EHP1-EHP2**

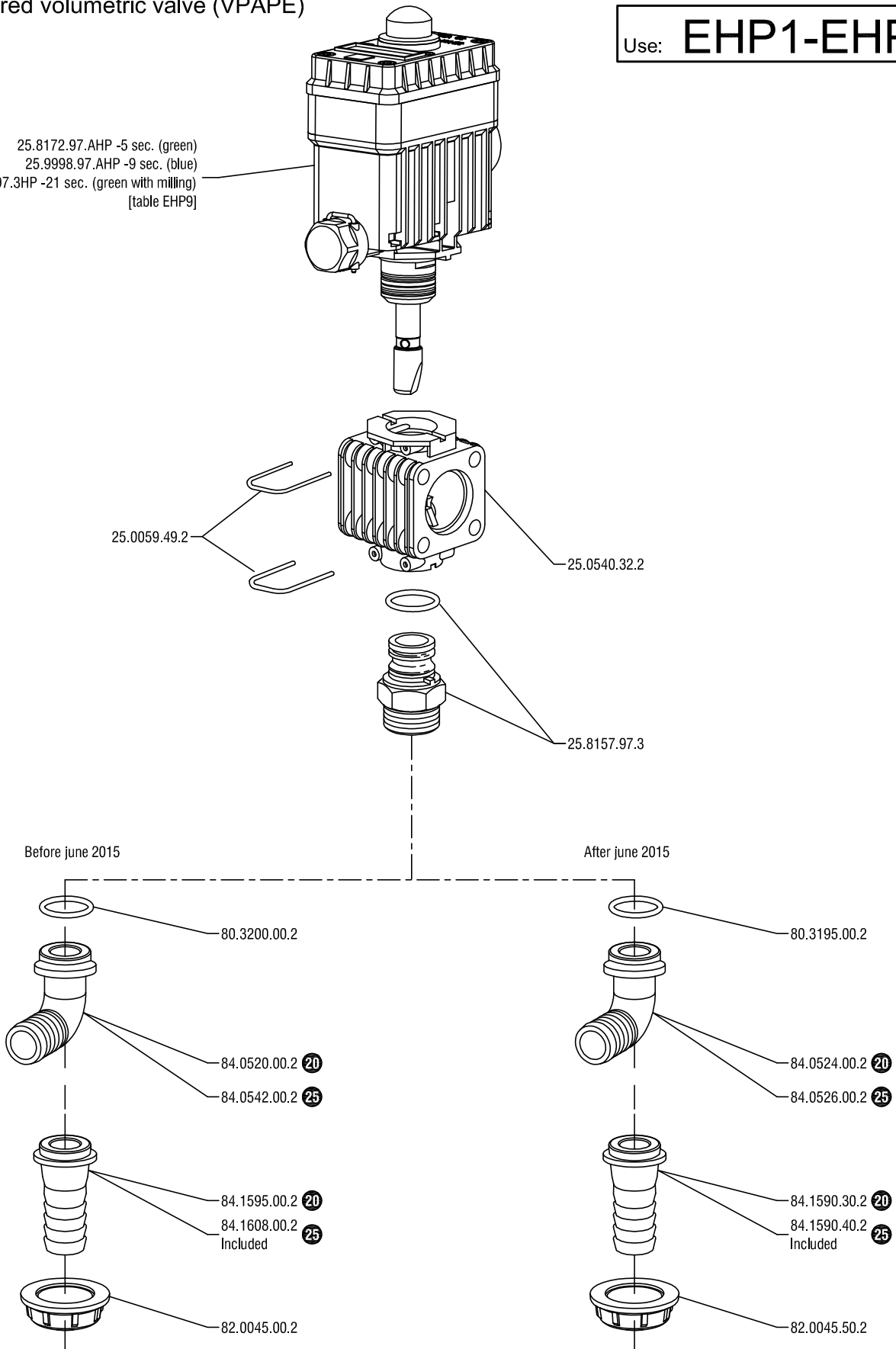




Motor powered volumetric valve (VPAPE)

Use: **EHP1-EHP2**

25.8172.97.AHP -5 sec. (green)
 25.9998.97.AHP -9 sec. (blue)
 25.9705.97.3HP -21 sec. (green with milling)
 [table EHP9]

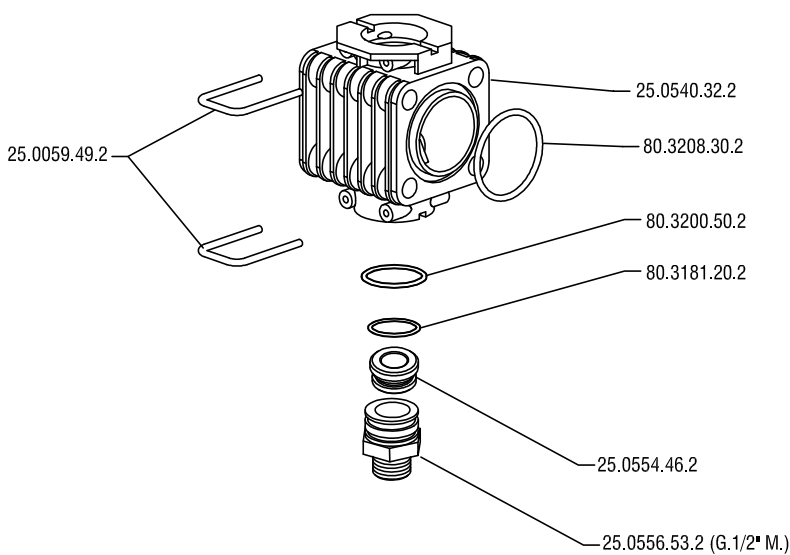
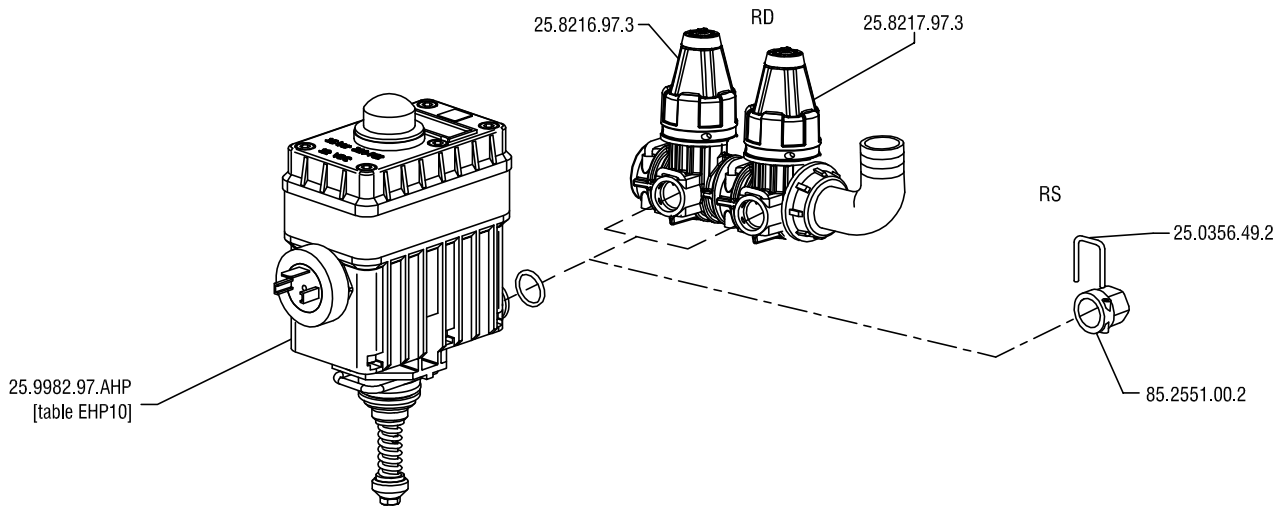
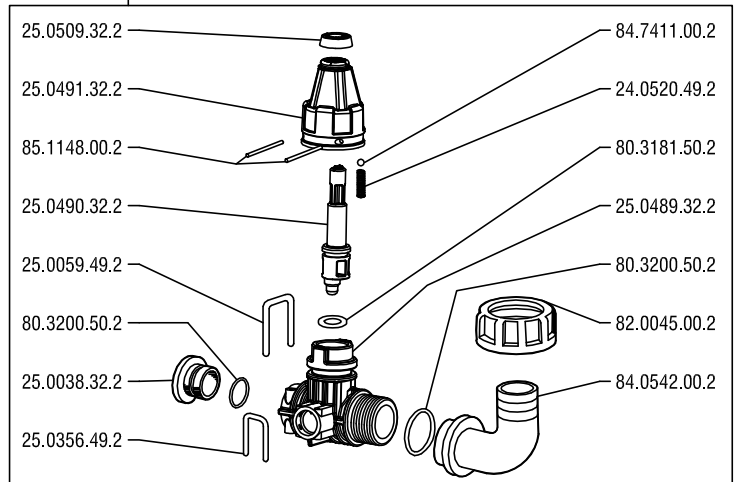
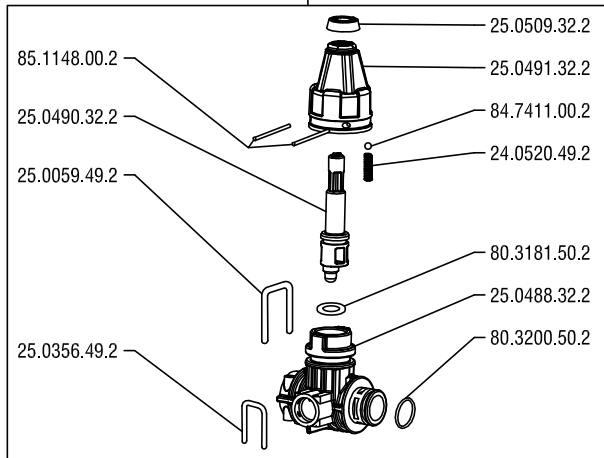


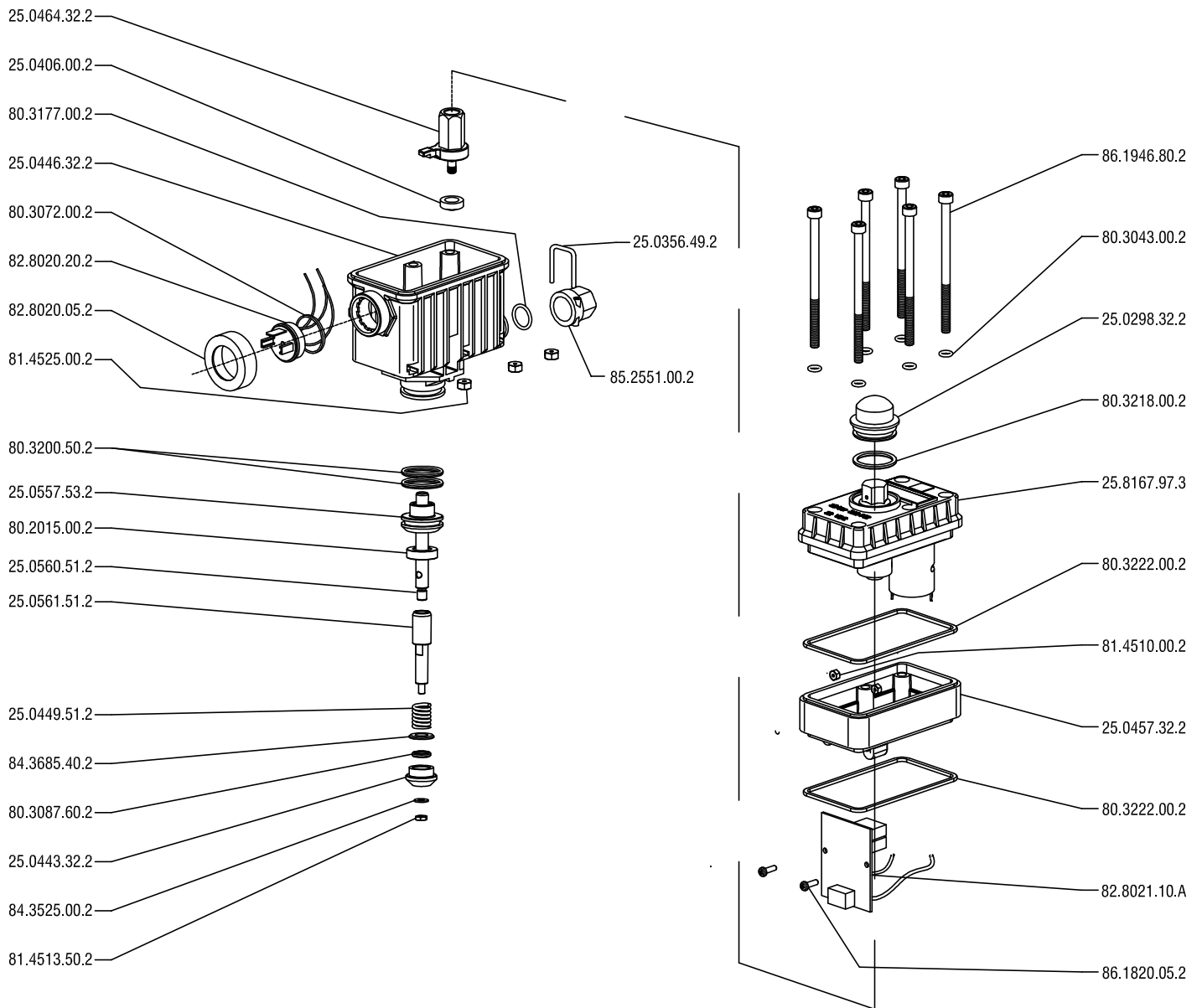
RS-RD motor powered valve

Use: **EHP1-EHP3**

Kit by-pass intermedio
25.8216.97.3
Intermediate by-pass kit

Kit by-pass terminale
25.8217.97.3
Terminal by-pass kit





ECOCONTROL HP (40bar)

Table: **EHP9**

Motor powered volumetric valve (5" GREEN - 9" BLUE
- 21" GREEN with milling)

Use: **EHP6**

